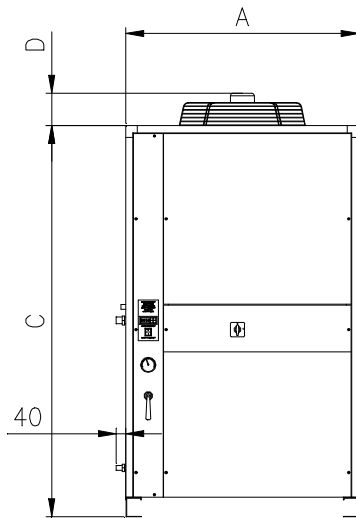
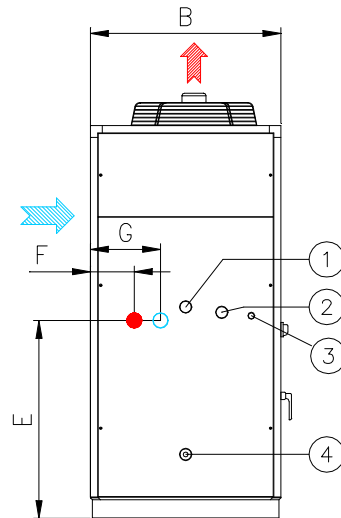


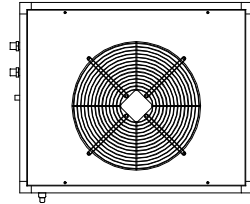
Esquema de dimensiones mod. 10 ÷ 51



FRONT VIEW



SIDE VIEW



TOP VIEW



CONDENSER AIR FLOW



WATER INLET – BSP F.



WATER OUTLET – BSP F.



CONDENSATE DISCHARGE



AIR PURGE VALVE



POWER SUPPLY



WATER DISCHARGE

MOD.	A	B	C	D	E	F	G			SHIPPING WEIGHT Kg	OPER. WEIGHT Kg
10	680	550	1050	80	570	135	215	1/2"	1/2"	130	155
15	830	650	1320	80	670	160	240	1/2"	1/2"	170	200
20	830	650	1320	80	670	160	240	1/2"	1/2"	190	220
31	980	800	1650	135	805	185	295	1"	1"	280	350
51	980	800	1650	135	805	185	295	1"	1"	300	370