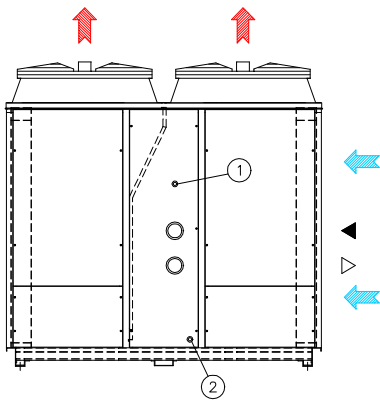
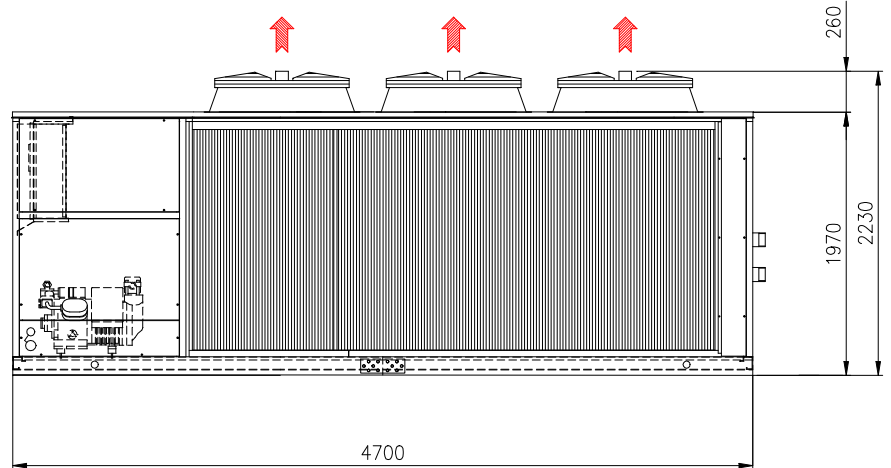


### Esquema de dimensiones mod. 1402



BACK VIEW



SIDE VIEW

① AIR PURGE VALVE

② WATER DISCHARGE

↑ CONDENSER AIR FLOW

◀ WATER INLET DN80 - 3" - BSP M.

▷ WATER OUTLET DN80 - 3" - BSP M.

