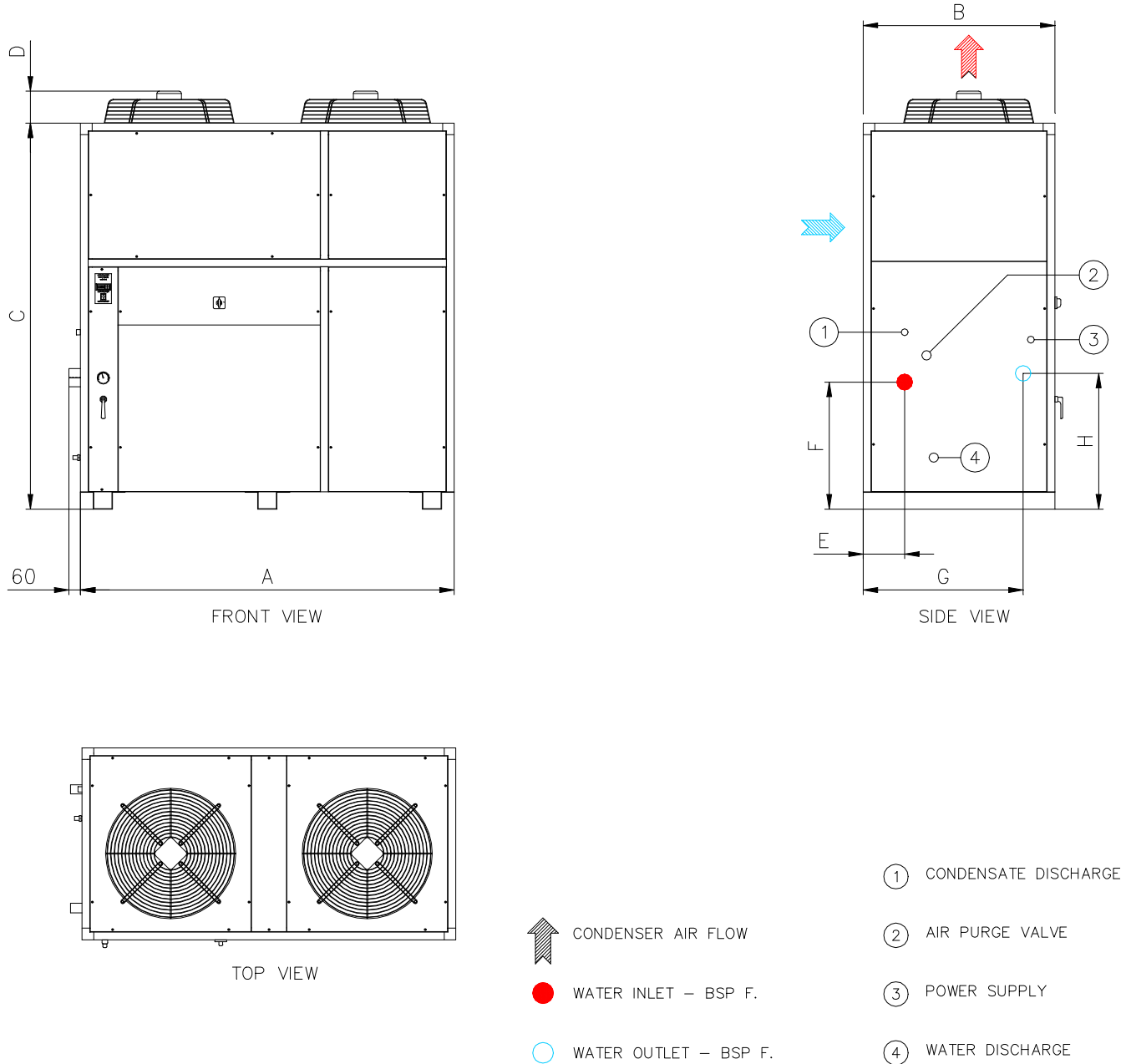


### Esquema de dimensiones mod. 201 – 251



MOD.	A	B	C	D	E	F	G	H	●	○	SHIPPING WEIGHT Kg	OPER. WEIGHT Kg
201	1930	990	1990	165	215	655	845	695	1"1/2	1"1/2	760	1.060
251	1930	990	1990	185	215	655	845	695	1"1/2	1"1/2	860	1.150