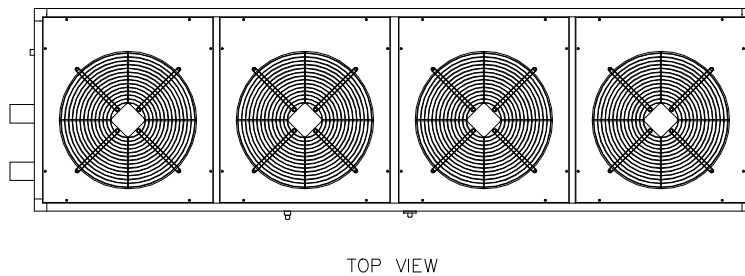
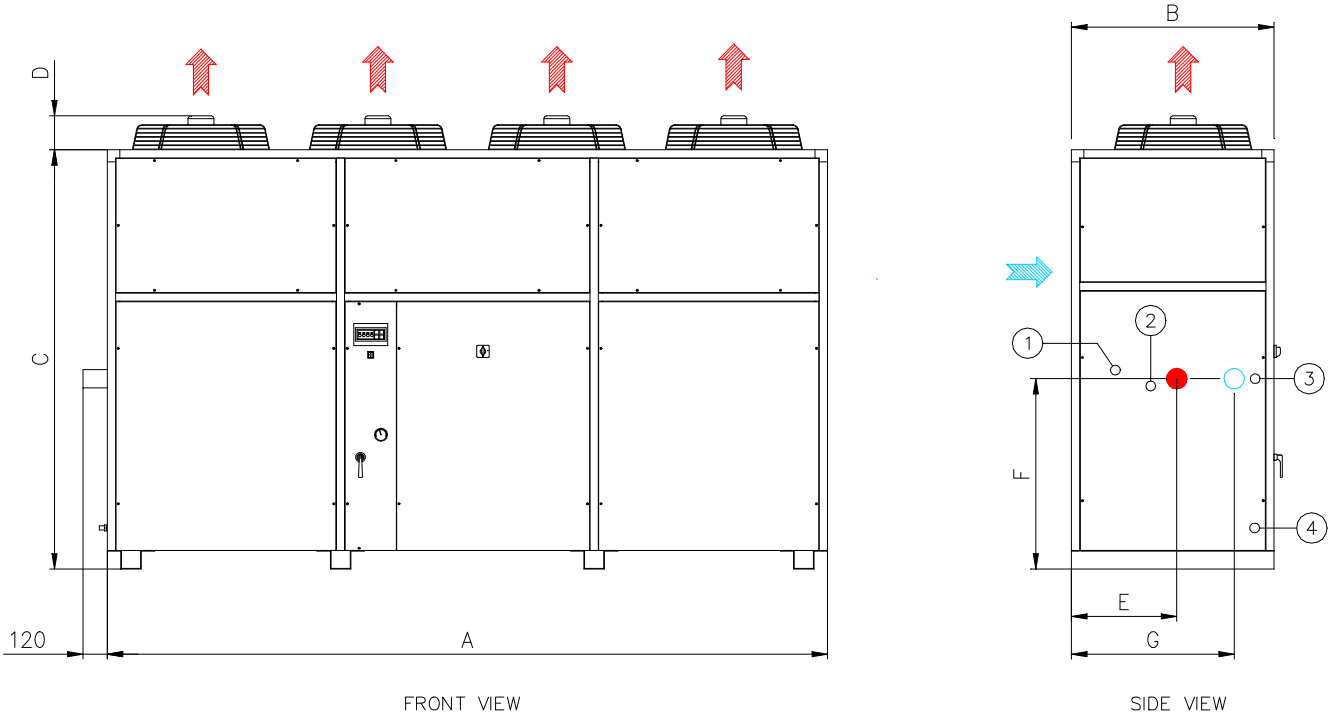


Esquema de dimensiones mod. 501 – 601 – 502 – 602



- ① CONDENSATE DISCHARGE
- ② AIR PURGE VALVE
- ③ POWER SUPPLY
- ④ WATER DISCHARGE

CONDENSER AIR FLOW

WATER INLET – BSP F.

WATER OUTLET – BSP F.

MOD.	A	B	C	D	E	F	G			SHIPPING WEIGHT Kg	OPER. WEIGHT Kg
501	3.520	990	2.050	185	515	930	795	3"	3"	1.600	2.130
601	3.520	990	2.050	185	515	930	795	3"	3"	1.700	2.250
502	3.520	990	2.050	185	515	930	795	3"	3"	1.800	2.350
602	3.520	990	2.050	185	515	930	795	3"	3"	1.900	2.450