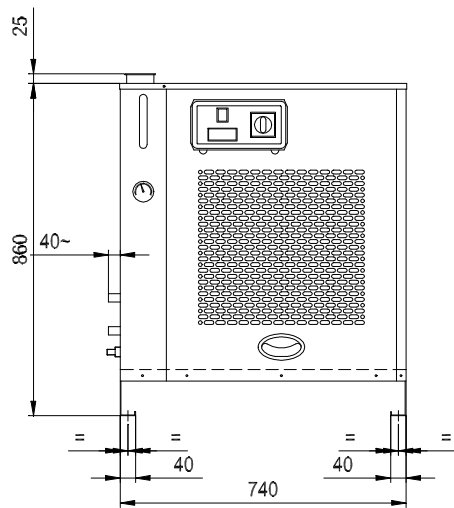
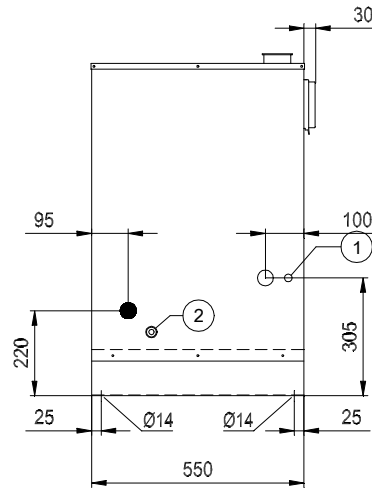


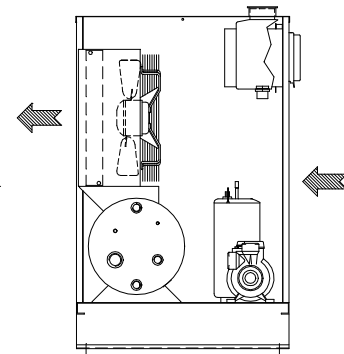
Esquema de dimensiones mod. M2 – M4 – M6



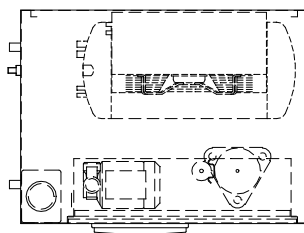
FRONT VIEW



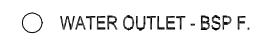
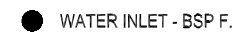
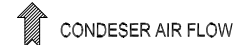
SIDE VIEW



CROSS SECTION



TOP VIEW



MODEL	●	○	SHIPPING WEIGHT Kg	OPERATING WEIGHT Kg
M2	1/2"	1/2"	85	110
M4	1/2"	1/2"	95	120
M6	1/2"	1/2"	115	140